

PANORAMIC LIFT CAR
PANORAMİK ASANSÖR KABİNLERİ

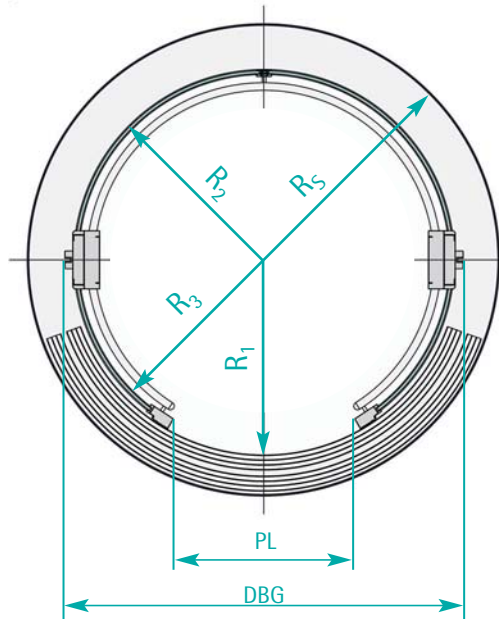
OSAKA



EXCELLENCE IN COMPONENTS

PANORAMIC LIFT CAR PANORAMİK ASANSÖR KABİNLERİ

OSAKA



RATED LOAD	RADIUS				PL	CIH	DBG
	Sill	Car	Glass	Shaft			
	inside	outside	inside	inside			
kg	R1	R2	R3	R5	mm	mm	mm
630	750	715	700	950	800	2150	1380
630	750	715	700	950	900	2150	1380
800	800	765	750	1000	800	2250	1480
800	800	765	750	1000	900	2250	1480
1000	875	840	825	1075	900	2250	1630
1275	950	915	900	1150	900	2250	1780

EXCELLENCE IN COMPONENTS

INTERIOR / STANDARD VERSION

WALL PANELS	02-3010	ST.STEEL / GP 320 N
ENTERANCE SIDES	02-3010	ST.STEEL / GP 320 N
PROFILES	02-3010	ST.STEEL / GP 320 N
HAND RAIL	90-0017	ST.STEEL / GP 320 N
MIRROR	NONE	
CEILING	02-3010	ST.STEEL / GP 320 N
LIGHTING	SPOT MINI HALOGEN	
KICKPLATE	02-3010	ST.STEEL / GP 320 N
FLOOR	90-6484	LINOLEUM 86484
C.O.P.	NOTE INCLUDED	

EXTERIOR / STANDARD VERSION

SHAPE	TYPE P 18
GLASS	LAMINATED SAFETY GLASS
TOP COVER	OSAKA
TOP COVER MATERIAL	02-3010 ST.STEEL / GP 320 N
BOTTOM COVER	OSAKA
BOTTOM COVER MATERIAL	02-3010 ST.STEEL / GP 320 N

KABİN İÇ KAPLAMA MALZEMELERİ / STANDARD

PANELLER	02-3010	P. ÇELİK / GP 320 N
GİRİŞ YANLARI	02-3010	P. ÇELİK / GP 320 N
PROFİLLER	02-3010	P. ÇELİK / GP 320 N
TUTAMAK	90-0017	P. ÇELİK / GP 320 N
AYNA	YOK	
TAVAN	02-3010	P. ÇELİK / GP 320 N
AYDINLATMA	SPOT MİNİ HALOGEN	
SÜPÜRGELİK	02-3010	P. ÇELİK / GP 320 N
ZEMİN	90-6484	LINOLEUM 86484
C.O.P.	DAHİL DEĞİLDİR	

KABİN DIŞ KAPLAMA MALZEMELERİ / STANDARD

ŞEKİL	TIP P 18	
CAM	LAMİNE EMNİYET CAMI	
ÜST BAŞLIK	OSAKA	
ÜST BAŞLIK MALZEMESİ	02-3010	P. ÇELİK / GP 320 N
ALT BAŞLIK	OSAKA	
ALT BAŞLIK MALZEMESİ	02-3010	P. ÇELİK / GP 320 N

PANORAMIC LIFT CARS ARE MANUFACTURED ACCORDING TO 95/16 EC AND EN-81 STANDARTS.

PANORAMİK ASANSÖR KABİNLERİ 95/16 AT YÖNETMELİĞİNE VE EN-81 STANDARTLARINA UYGUNDUR.

Wittur Asansör San.ve Tic.Ltd.Şti. Tel +90 216 415 55 67 Fax +90 216 415 55 68